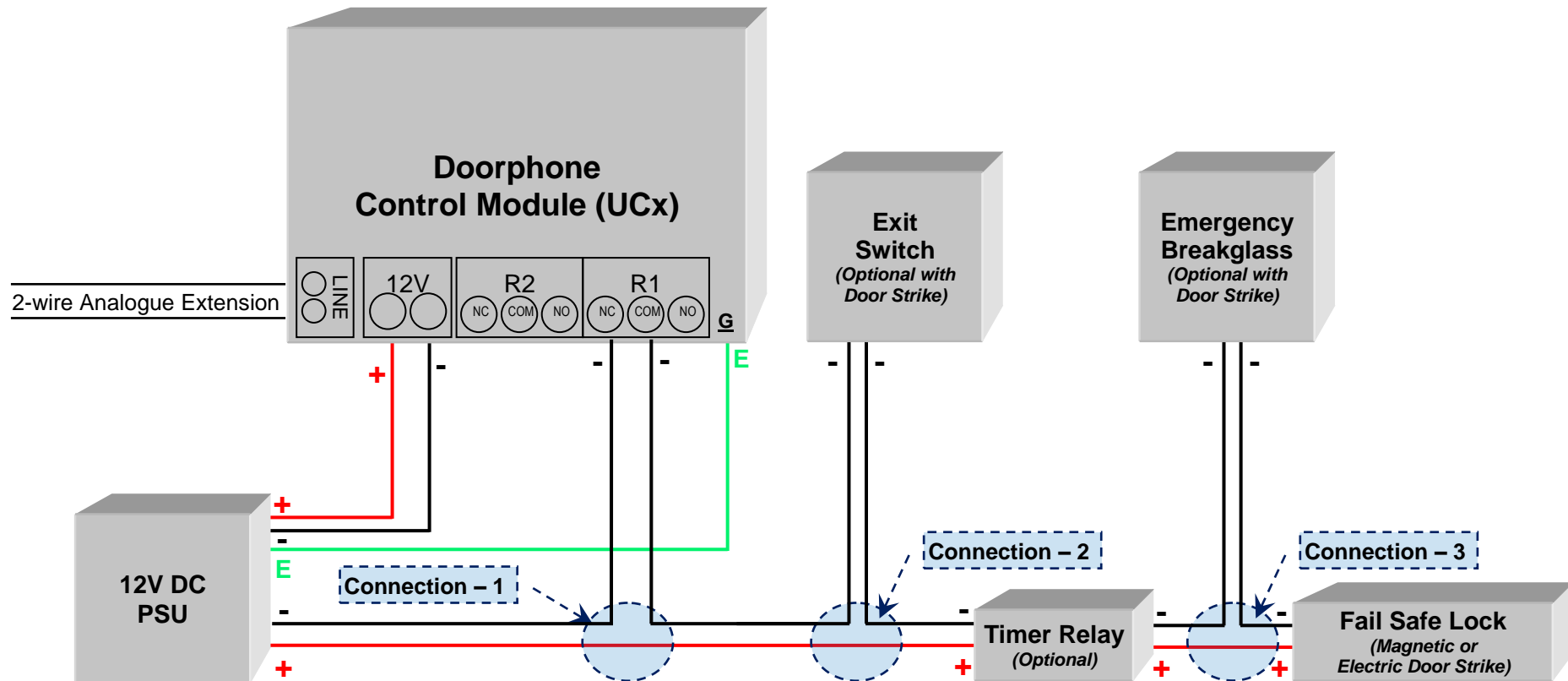


Ulydor Schematic Wiring Diagrams

Fail Safe Locks – Magnetic, Electric Door Strikes & DX200 Solenoid Bolt

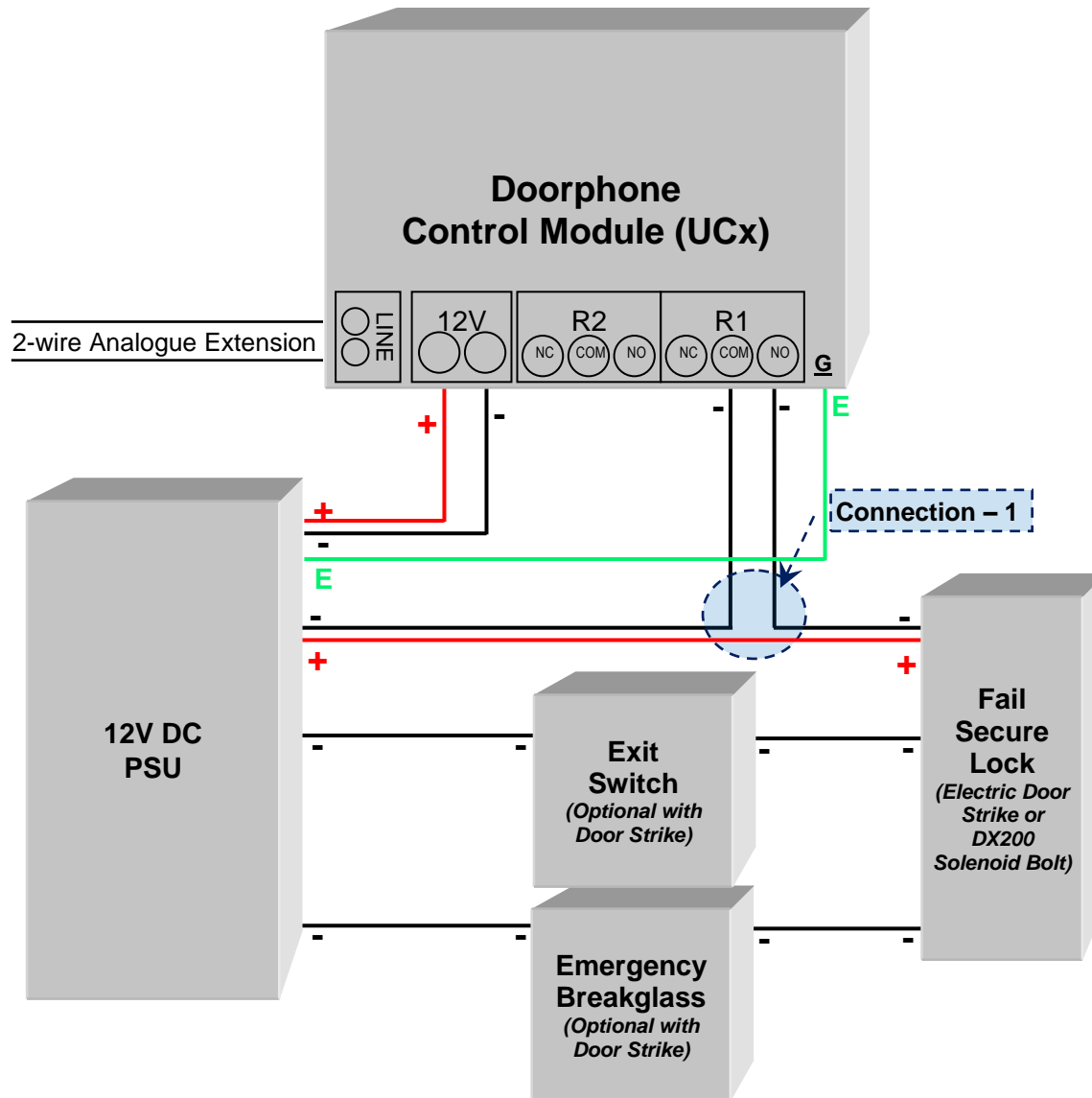


Notes:

- The devices used to allow exit; Doorphone, Exit Switch & Breakglass are connected in series
- The Timer Relay is optional, it provides a delay of 3-10 seconds before power is reapplied to the lock after the exit switch is depressed
 - Used if the Exit Switch is not immediately adjacent to the door, or where a package is being carried
- The Timer Relay is normally located in either the exit switch or the Power Supply
 - The position is usually dictated by the type of Exit Switch being used
- The Exit Switch and Emergency Breakglass are usually located side by side to facilitate cabling
- Connection - 1 is often made in the Power Supply
- Connection - 2 is often made in either the Exit Switch or the Power Supply
- Connection - 3 is often made in either the Breakglass or the Power Supply

Ulydor Schematic Wiring Diagrams

Fail Secure Electric Door Locks



Notes:

- The devices used to allow exit; Doorphone, Exit Switch & Breakglass are connected in parallel
- The Exit Switch and Emergency Breakglass are usually located side by side to facilitate cabling
- Connection – 1 is often made in the Power Supply